

# Fig. 100YL Gas Threaded DZR - Lever Operated



## FEATURES & BENEFITS

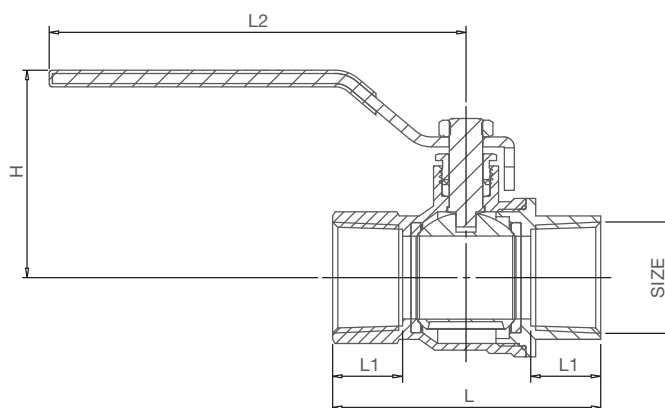
- Dezincification resistant
- Light, compact and easy to install and operate
- More resistant to damage during installation
- Sizes from 1/4" to 2"
- Tested to BS EN 331:1998



## MATERIAL SPECIFICATION

Component	Material
Hex-Nut	Dacromet Plated Steel
Handle Sleeve	PVC Yellow
Handle	Dacromet Plated Steel
Packing Nut	Brass CW617N
Packing Gland	PTFE
Body	DZR Brass CW602N
Ball	DZR Brass CW602N
Seats	PTFE
O-Ring	NBR BS EN549 approval
Bonnet	DZR Brass CW602N
Stem	DZR Brass CW602N

## DIMENSIONAL DRAWING



## SPECIFICATION

UK End Connection: BS EN 10226-2:2005  
formerly BS21 Taper.

US End Connection ANSI B1.20.1:1983.

Operator: Lever.

Specification: Quarter turn.

PTFE seats and stem seal.

Tested by GL Industrial Services and complies with the essential requirements of BS EN 331:1998.

## PRESSURE/TEMPERATURE RATINGS COMPRESSION

### NON-GAS APPLICATION

Temperature °C	-10 to 100	110
Pressure bar	25	23.5

### GAS APPLICATION

Temperature °C	-20 to 60
Pressure bar	5

Intermediate pressure ratings shall be determined by interpolation

## DIMENSIONS & WEIGHTS

Nom Size	in	1/4	3/8	1/2	3/4	1	1 1/4	1 1/2	2
L	mm	46	46	59	67	80.5	94	102	124
L1	in	12	12	15.5	17	21	23	23	26.5
L2	in	89	89	98.5	98.5	125	140	140	165
H	mm	41	41	48	51	63	78	83.5	97.5
Weight	g	152	136	205	302	511	890	1292	2238

Every effort has been made to ensure that the information contained in this publication is accurate at the time of publishing. Hattersley Ltd assumes no responsibility or liability for typographical errors or omissions or for any misinterpretation of the information within the publication and reserves the right to change without notice.